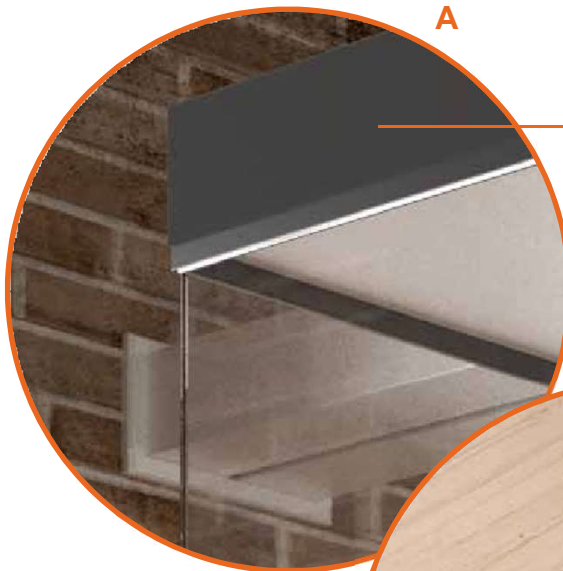




Clipper

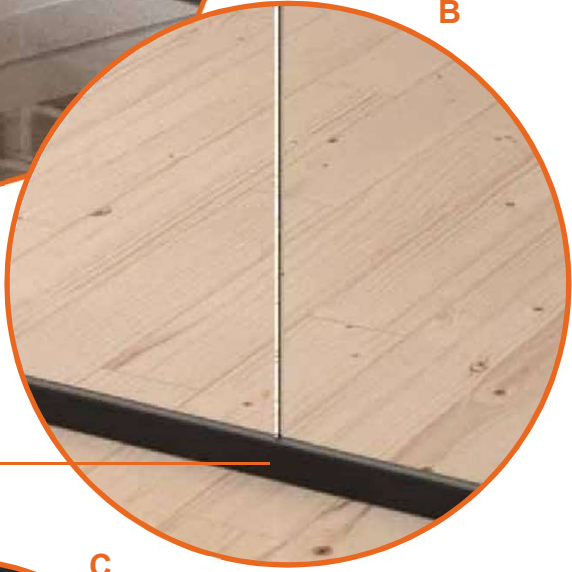
SLEEK SERIES
SYSTEM FOR GLASS PARTITION





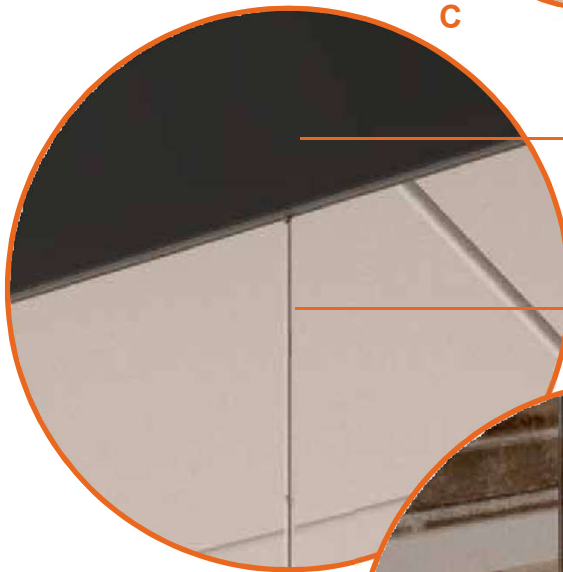
A

SLEEK1630



B

SLEEK2130



C

SLEEK1630

PH2784

PH2792



D

SLEEK2130







PROFILE FOR GLASS DOORS FIXED ON GLASS WALLS FOR THICKNESS FROM 8 TO 13.52 mm

Material: extruded aluminium

Features: suitable for all glasses compatible with SLEEK profiles.

Wall glass thickness from 8 to 13.52 mm.

It can be matched with all the hinges of our production.

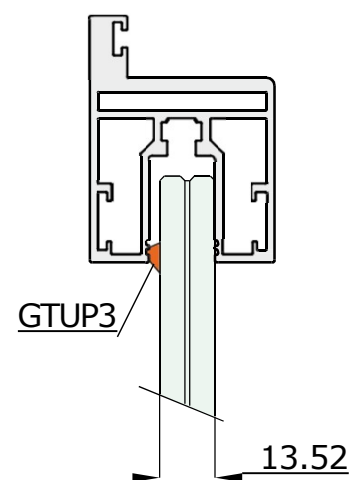
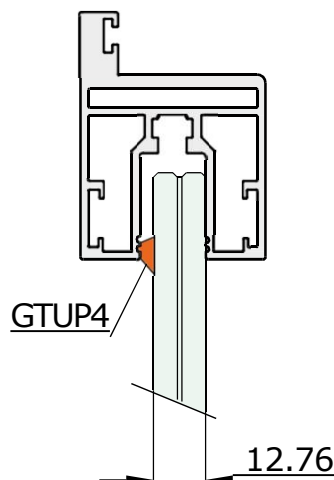
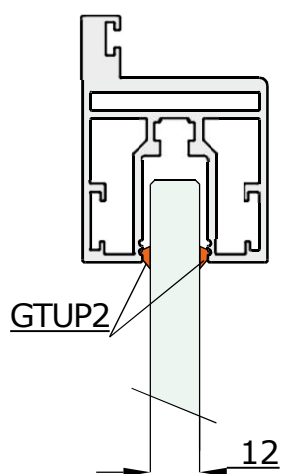
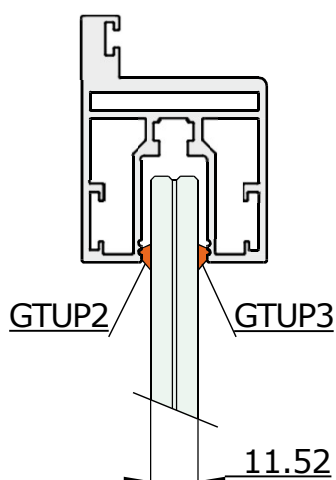
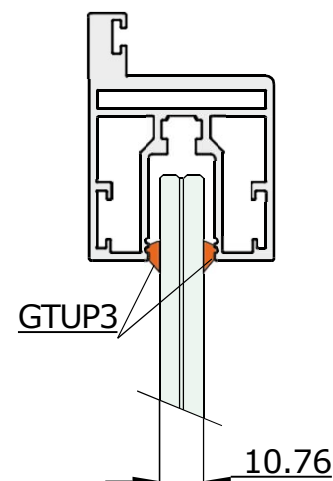
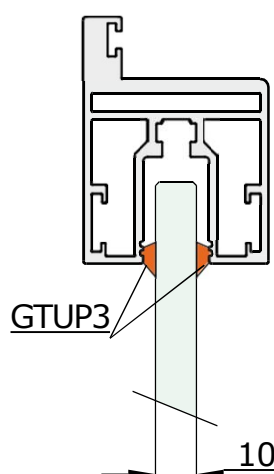
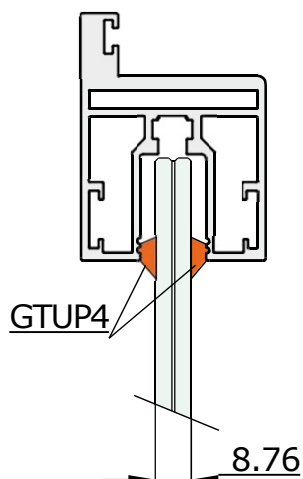
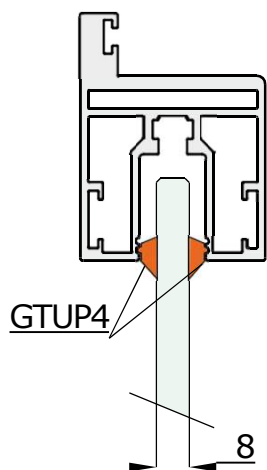
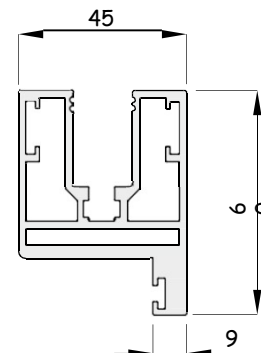
Matching with **CER4AL**, **CER4ALSQ** hinges

and **APRO 1203**, **APRO 2203**,

APRO CENTRALE AND **APRO PER STIPITE** locks

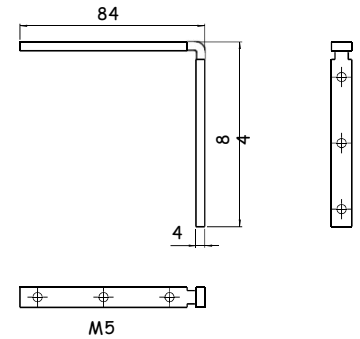
Finish: aluminium, anodized, black matt,

other finishes on demand



JOINING FRAME FOR PROFILES

Finish: raw stainless steel

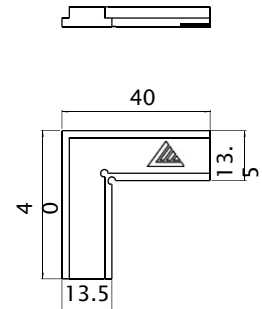


Art.	Dimensions	Q.ty
PD001	84x84x9.2 mm	1 Set

PROFILE ALIGNMENT FRAME

Material: POM

Finish: black



Art.	Dimensions	Q.ty
PD002	40x40x5.3 mm	1 Set

GASKET PROFILE

Material: PVC

Features: PVC gasket to be inserted into SLEEK and SLEEKdoor profiles.

Finish: transparent, embossed



Art.	Description	Finish	Q.ty
GTUP2	Transparent gasket - Thickness 2 mm	Transparent	1 m
GTUP3	Transparent gasket - Thickness 3 mm	Transparent	1 m
GTUP4	Transparent gasket - Thickness 4 mm	Transparent	1 m

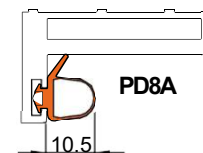
GASKET FOR DOOR STOP

Material: PVC (PD12), silicone (PD8A)

Features: gasket for stop on a doorjamb.

2 different dimensions available, according to the door glass thickness.

Finish: black (PD8A)



Art.	Glass thickness	Q.ty
PD8A	From 8 to 10.76 mm	Per m

PDMUR66 - WALL MOUNTING KIT

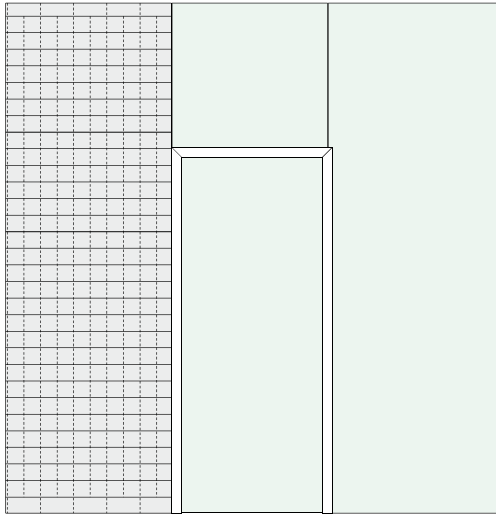
Material: aluminium profile, aluminium template, stainless steel frame

Features: Kit for wall fastening profile SLEEKDOOR66

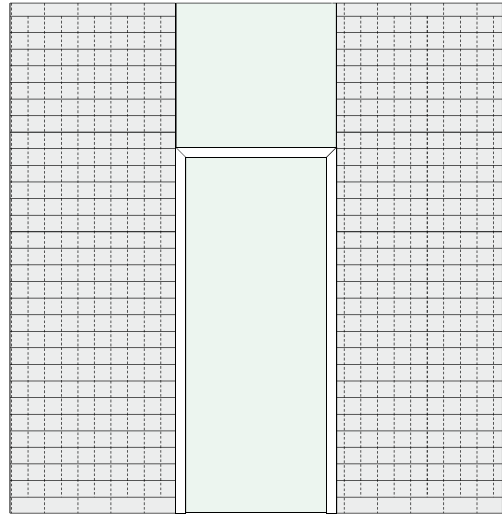
Important: only SLEEKDOOR66 profiles are suitable



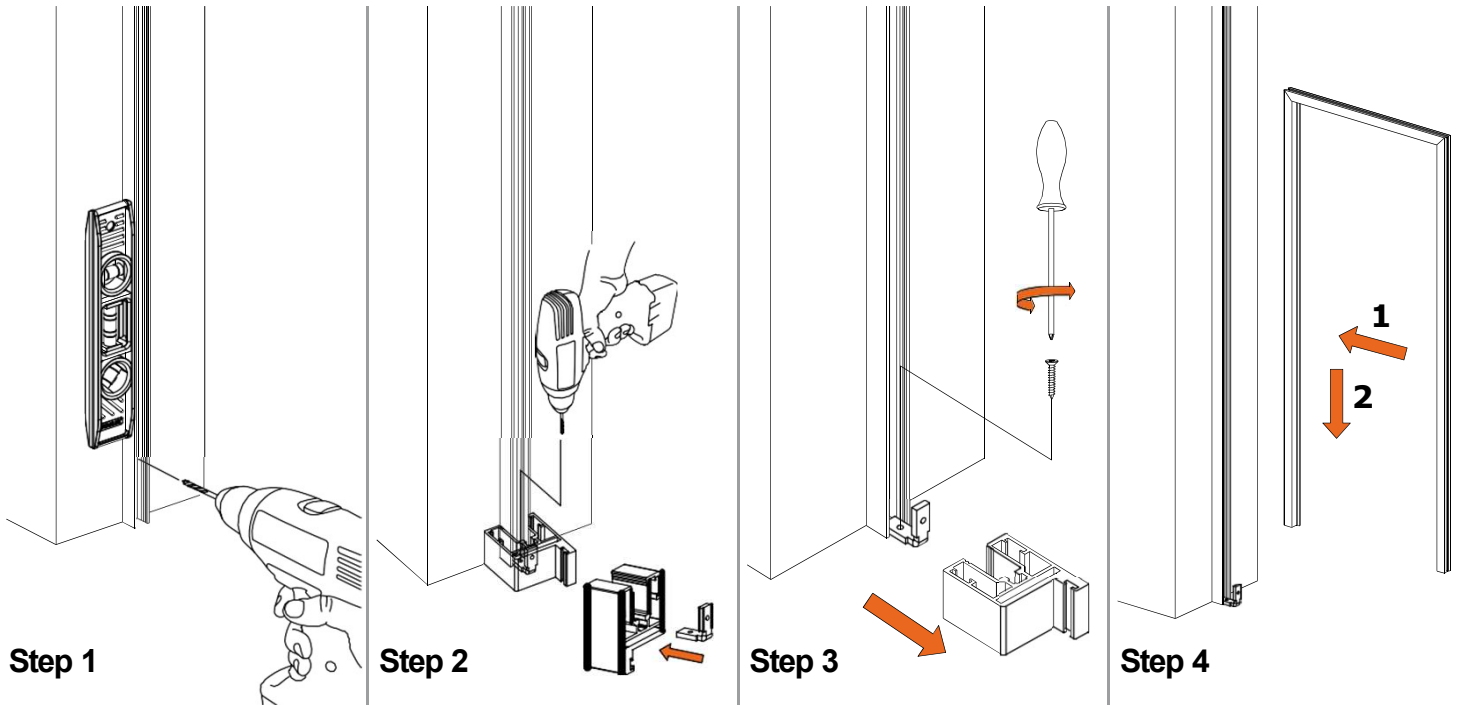
TYPES OF USE:



In this case, order 1 kit



In this case, order 2 kits







SLEEKDOOR 100 KIT

Material: aluminium

Features: Lock kit Art.APRO1203 single key plus pair of hinges Art.CER4AL.

For glass 8/10 mm. Wall plate included.



Name: Glass Door Lock with Lever handle, curved

Lever handle: Solid in aluminum alloy

Material: Aluminum alloy

Finish: Aluminium Anodized (Silver) - Black matt finish

Glass thickness : 8-10mm

Lock prepared for profile cylinder

Noise-reducing Latch



Name: Glass Door Hinges, curved

Material: Aluminum alloy

Finish: Aluminium Anodized (Silver) - Black matt finish

Glass thickness : 8-10mm

Max door width: 900mm

Max door weight: 50kg/2 hinges, 60kg/3 hinges

SLEEKDOOR 300 KIT

Material: aluminium

Features: Lock kit Art.APRO2203 single key plus pair of hinges Art.CER4ALSQ.

For glass 8/10 mm. Wall plate included.



Name: Glass Door Lock with Lever handle, square

Lever handle: Solid in aluminum alloy

Material: Aluminum alloy

Finish: Aluminium Anodized (Silver) - Black matt finish

Glass thickness : 8-10mm

Lock prepared for profile cylinder

Noise-reducing Latch

Name: Glass Door Hinges, square

Material: Aluminum alloy

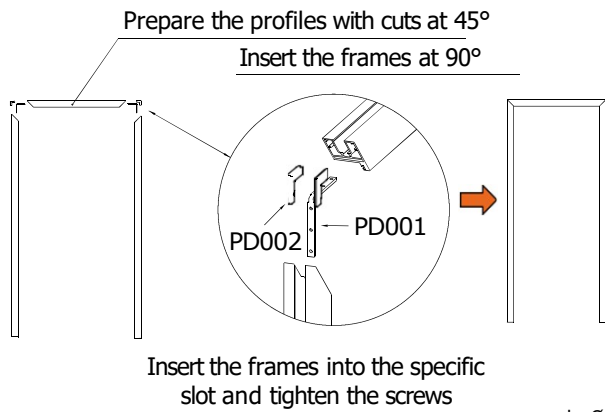
Finish: Aluminium Anodized (Silver) - Black matt finish

Glass thickness : 8-10mm

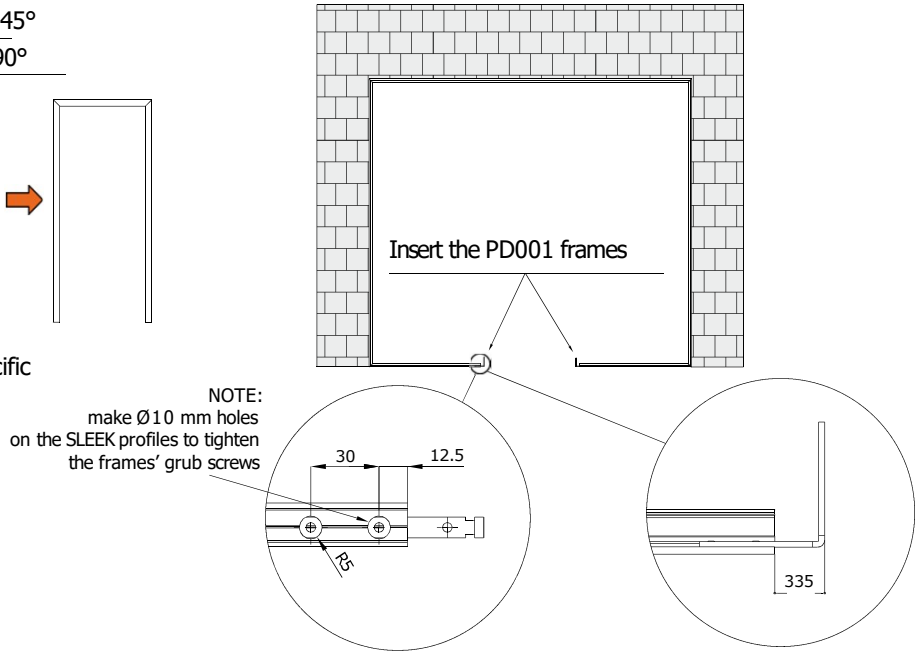
Max door width: 900mm

Max door weight: 50kg/2 hinges, 60kg/3 hinges

Step 1: Set the door frame

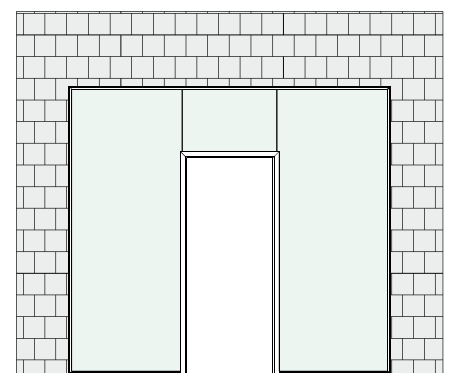
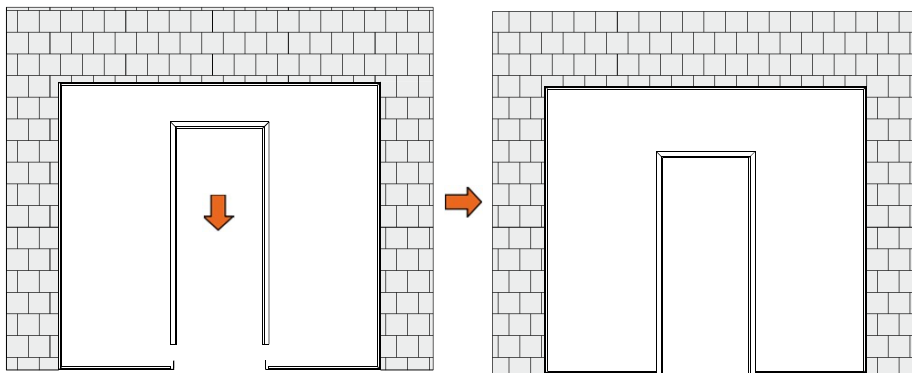


Step 2: fix the SLEEK profile



Step 3: Insert the pre-fitted intrados onto the SLEEK

Step 4: Insert the glass

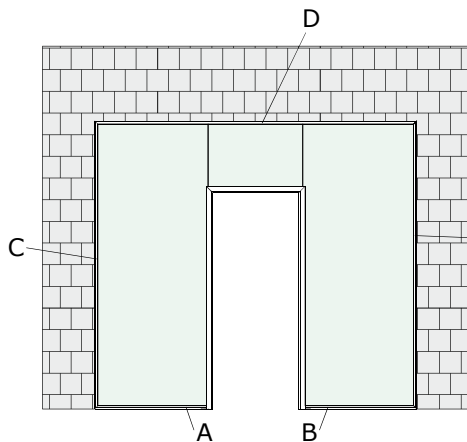


Insert the doorjamb into the frames (previously screwed on the SLEEK) and tighten the grub screws

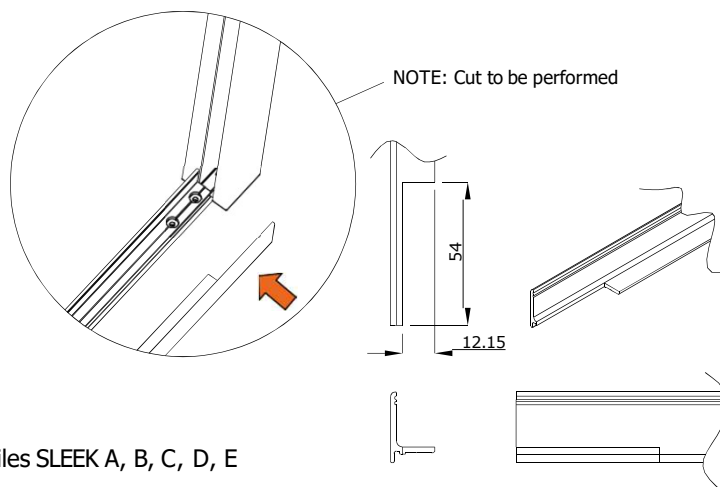
Insert the glass into the frame

Step 5: Close the profiles SLEEK A, B, C, D, E

Step 6: Fix the glass

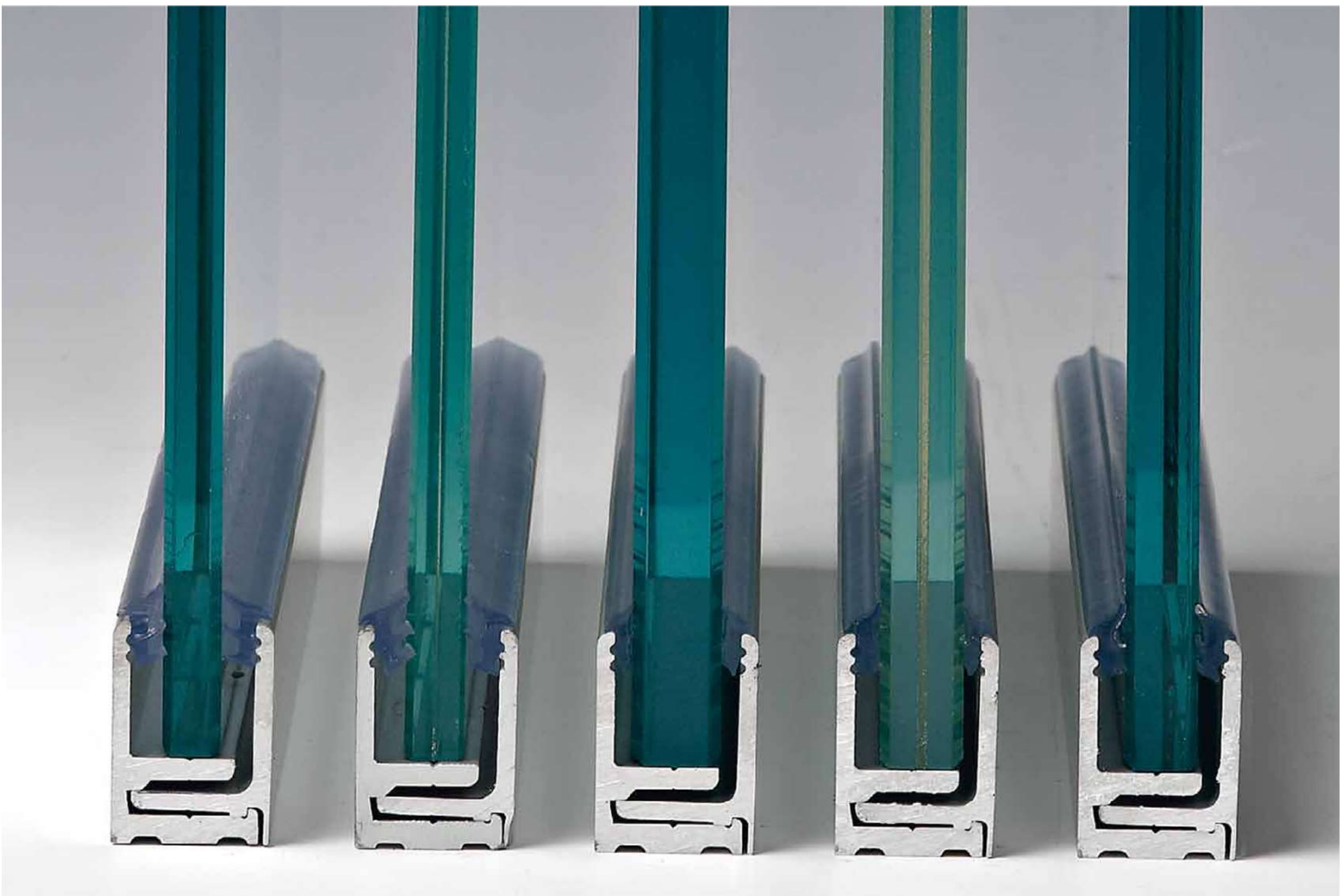
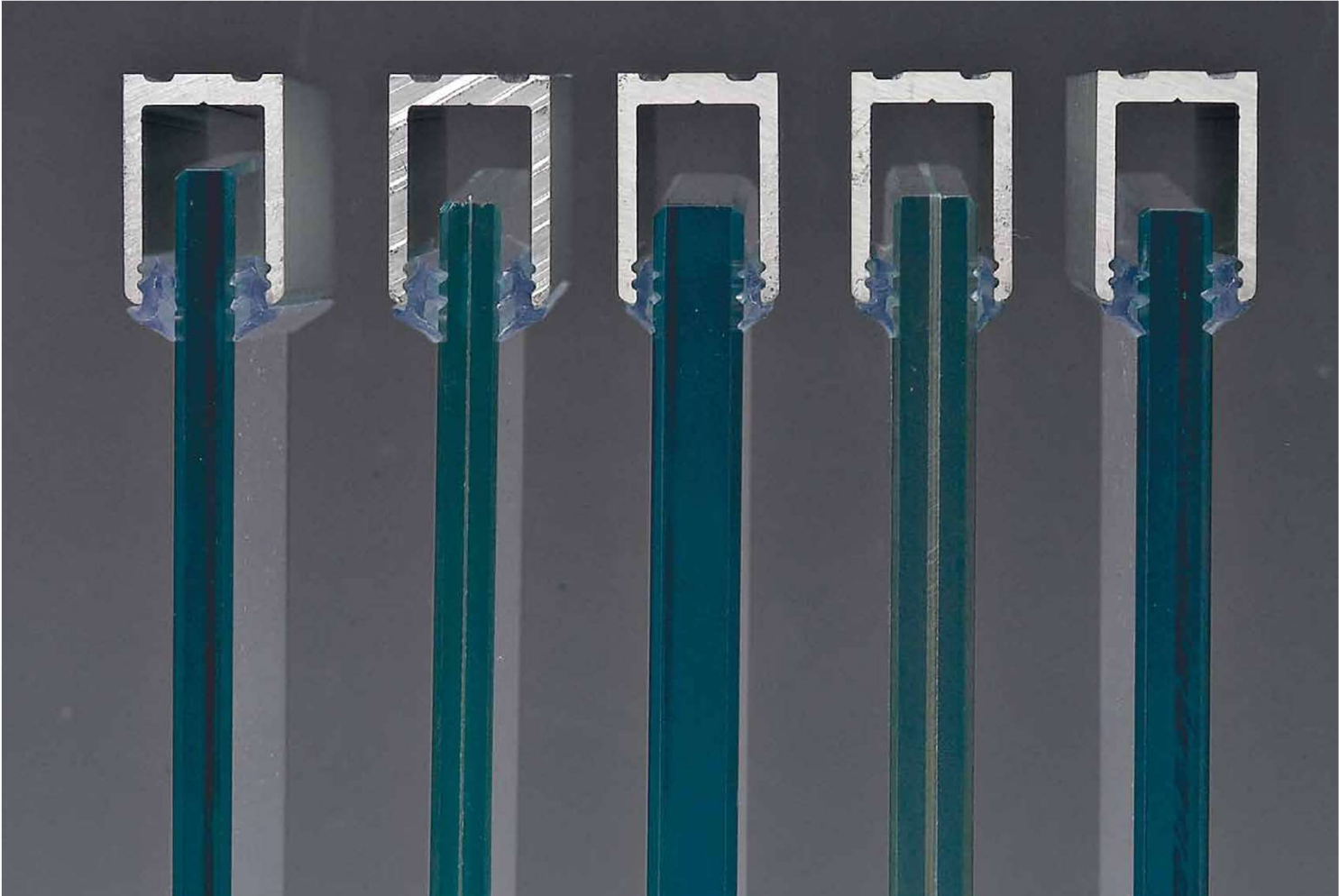


NOTE: For the SLEEK front closing profiles next to the intrados, A and B, the flap must be cut as shown in the figure



Finish the installation by locking the glass using silicone profiles series GTUP to be inserted along the entire outline of the SLEEK and SLEEKdoor

Mount the front closing part of profiles SLEEK A, B, C, D, E



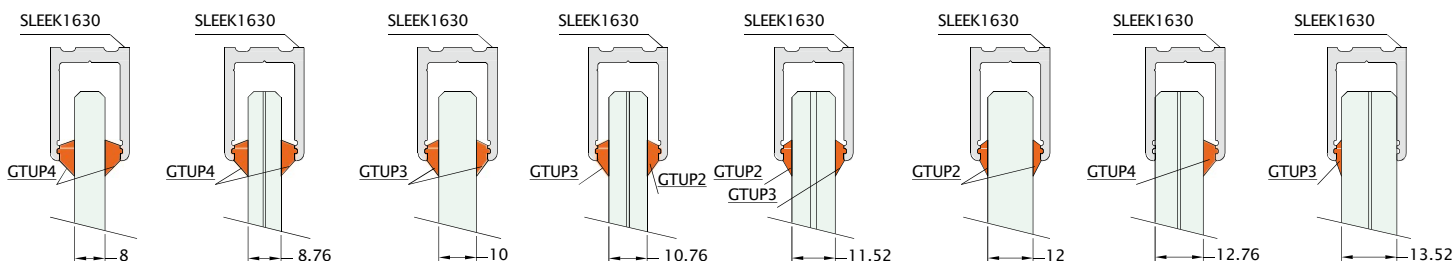
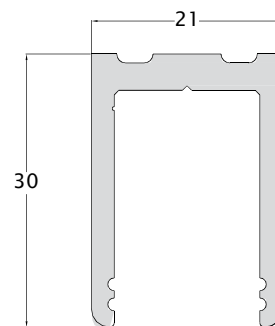


U-SECTION ALUMINIUM PROFILE

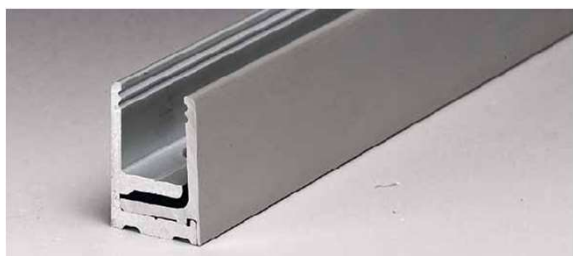
Material: extruded aluminium
 Features: 3000 mm long aluminium profiles with round edges and internal joint for easier drilling.
 Finish: aluminium, anodized, black matt, other finishes on demand



U-section profile caps
SLEEKTPU

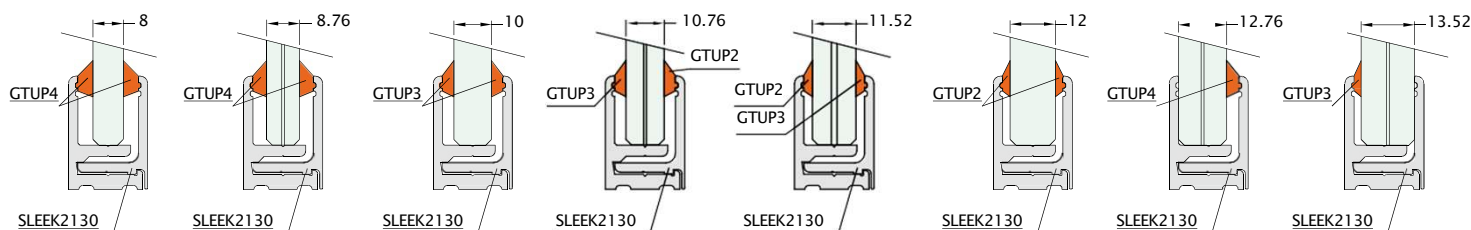
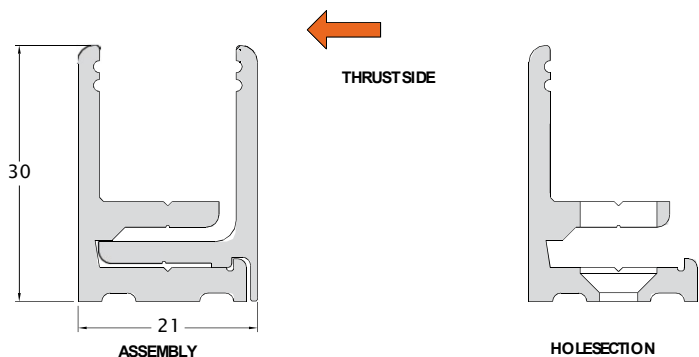


Art.	Dimensions	Q.ty
SLEEK1630	21 x 30 x L 3000 mm	1 Pç
SLEEKTPU	21 x 30 mm - U-section profile caps	1 Pç



CLIP-ON ALUMINIUM PROFILE

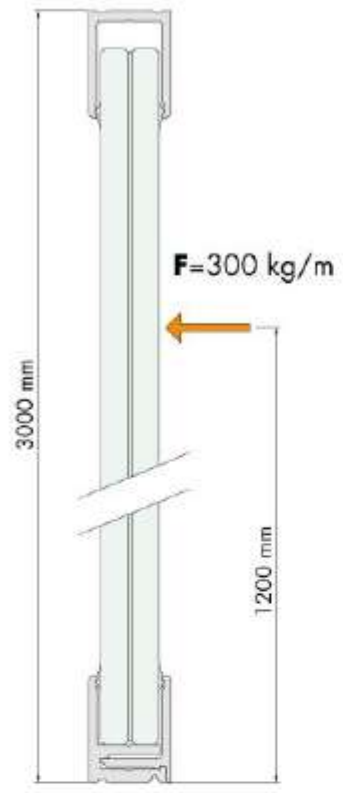
Material: extruded aluminium
 Features: 3000 mm clip-on aluminium profiles for easy and quick assembly.
 Finish: anodized, black matt, other finishes on demand



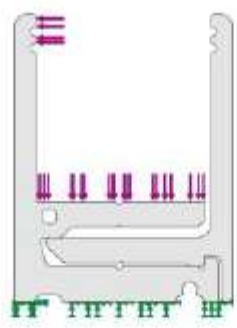
Art.	Dimensions	Q.ty
SLEEK2130	21 x 30 x L 3000 mm	1 Pç

RESULTS OF NUMERICAL ANALYSES

Load diagram

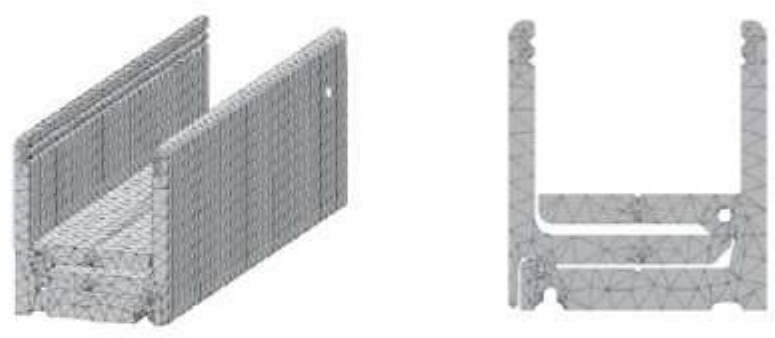


Simulated loads and constraints

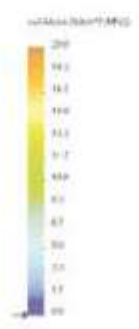
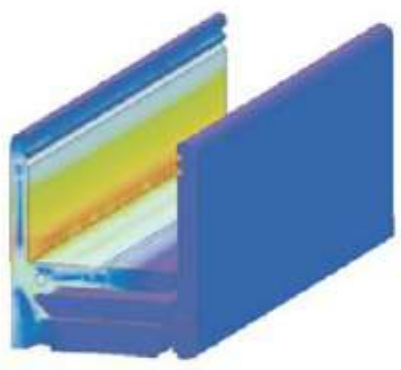


Material: Aluminium 6060 T6 alloy
 Maximum yield strength 165 N/mm²
 Maximum tensile strength 205 N/mm²

Mesh model



Stress distribution

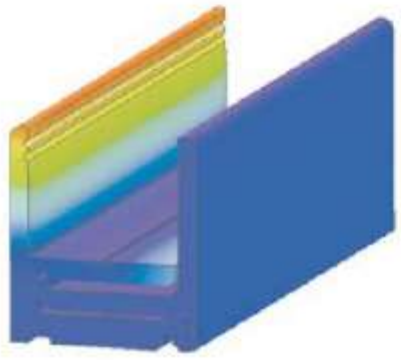


Maximum stress detected on profile, 22 N/mm²
 Numerically assessed safety coefficient on material yield, $C_s = 8$

Conclusions

The material for simulated loads is extremely safe

Deformations



Maximum deformation of the aluminium profile (red flap highlighted in the picture), 0.04 mm

Conclusions

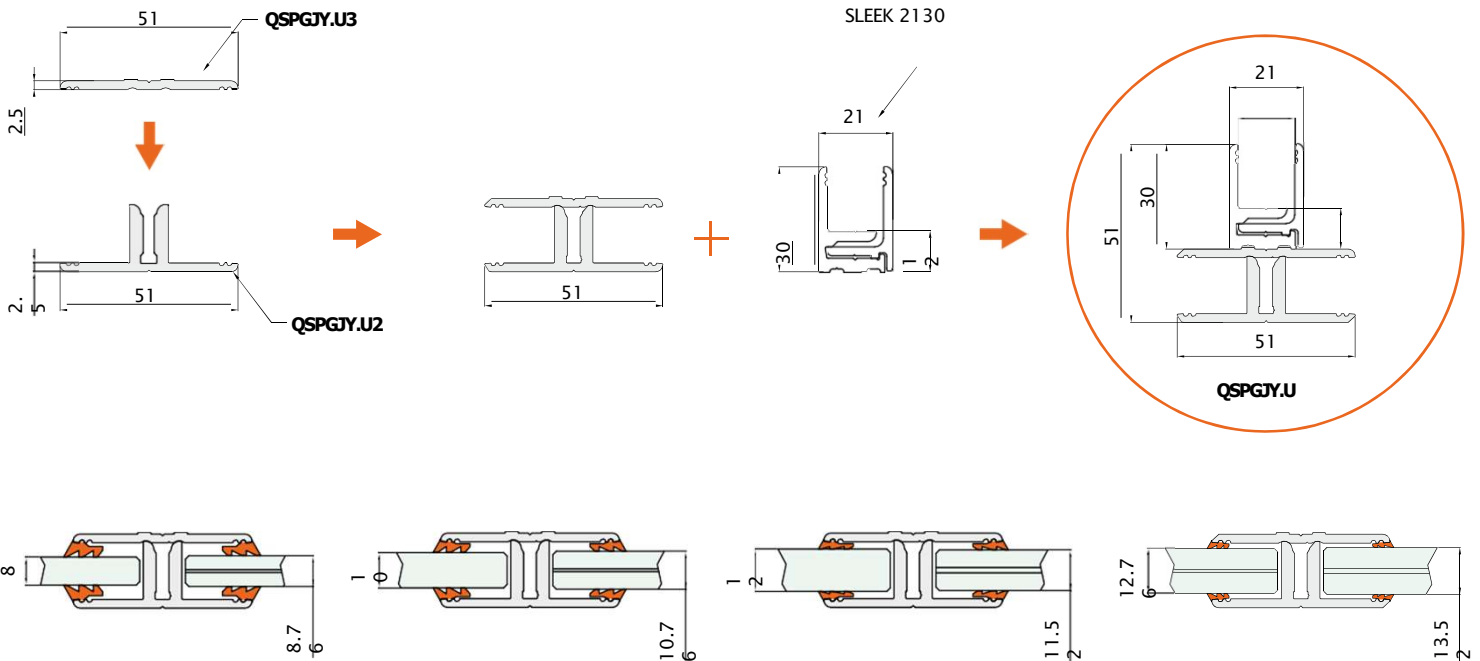
The profile does not undergo such deformation as to give a feeling of insecurity to a user who might collide against it

SLEEK T CONNECTING PROFILE

Material: extruded aluminium

Features: three or four way aluminium connecting profile. The system is made up by joining the two SLEEK T1 and SLEEK T2 profiles with the SLEEK 2130 or SLEEK 2160 profile.

Finish: aluminium, anodized, black matt, other finishes on demand.



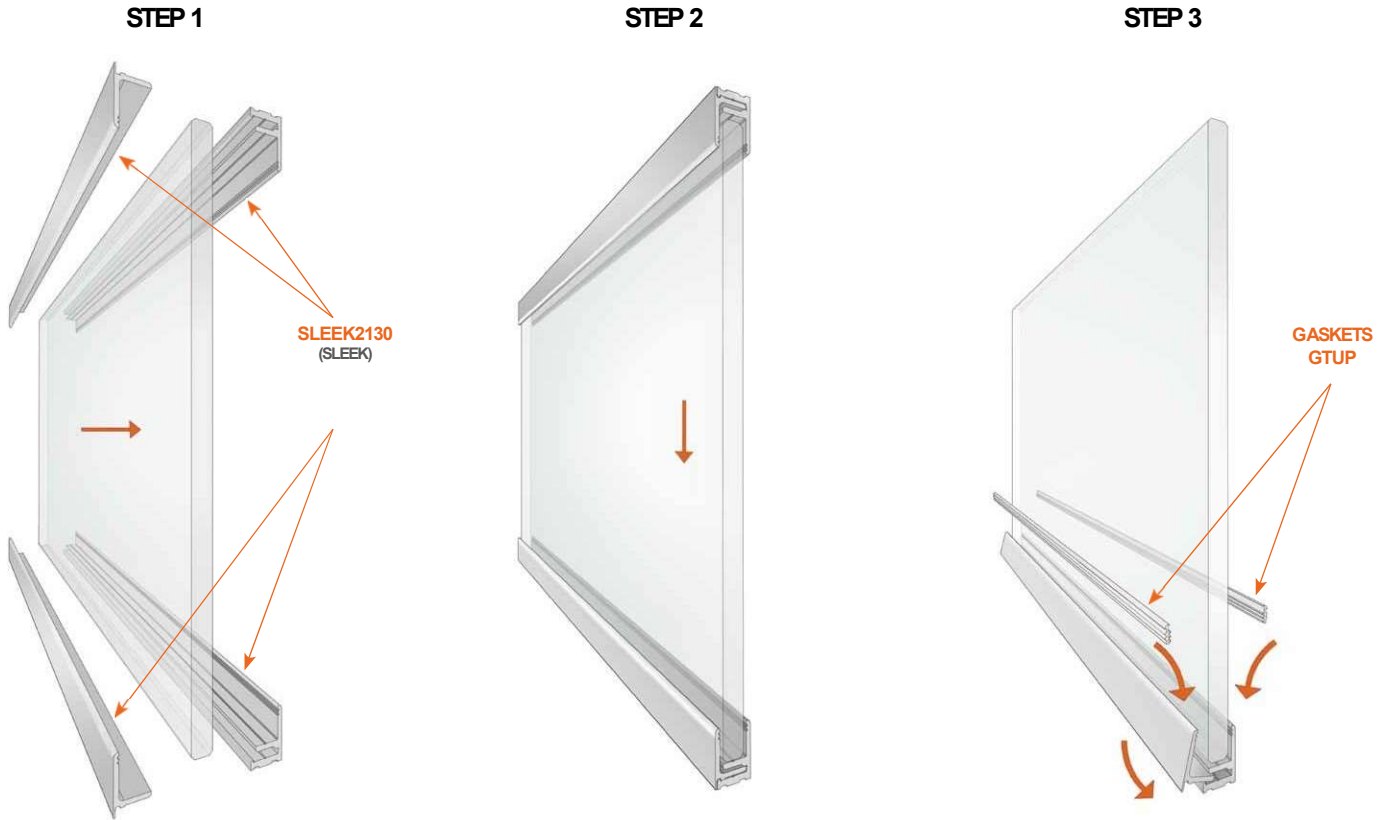
Art.
SLEEK T30

Dimensions
51mm x 51mm x L3000mm

Glass thickness
8/8.76/10/10.76/11.52/12/12.76/13.52 mm

Q.ty
1 kit

ASSEMBLY DIAGRAM (A)



$SLEEK - hv \text{ (glass height)} = H \text{ (door-opening height)} - 30 \text{ mm}$

ASSEMBLY DIAGRAM (B)



$SLEEK - hv \text{ (glass height)} = H \text{ (door-opening height)} - 25 \text{ mm}$

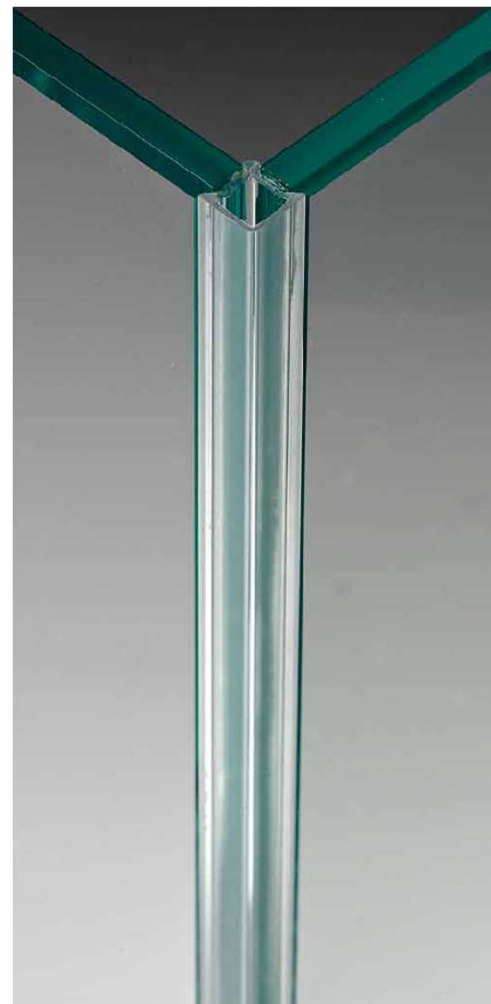
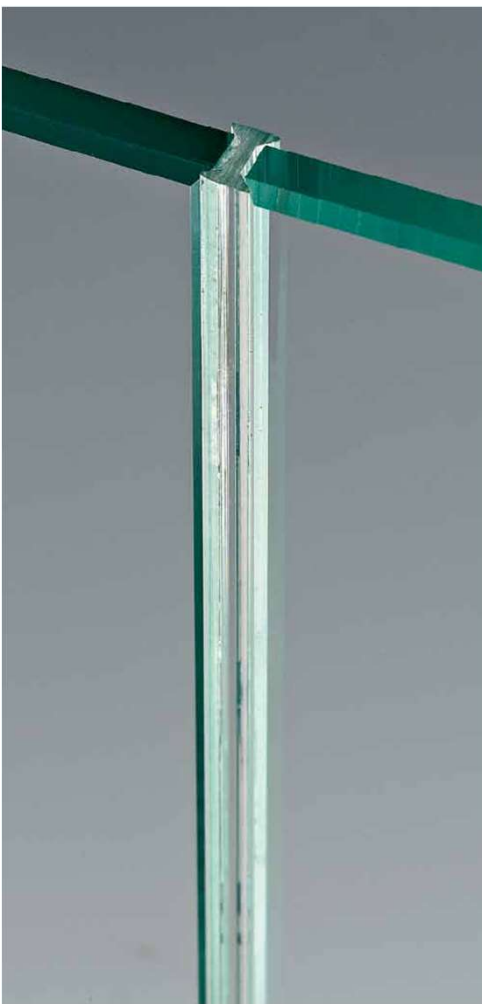


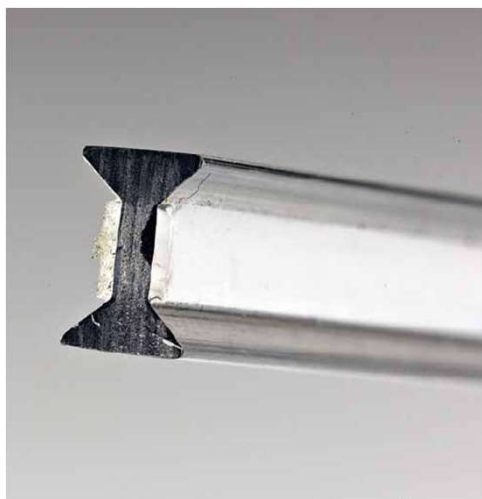
Transparent profile to be applied on the glass shim for glass wall systems.

Supplied with double sided adhesive tape.

Profile to be inserted in the joint instead of sealing.

Continuity effect.





CLIPPER CLEAR 2-WAY PROFILES WITH NORTON TAPES

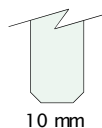
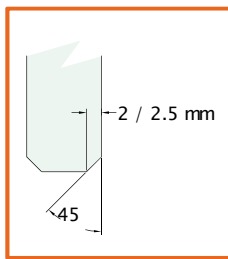
Material: polycarbonate

Features: clipper clear profiles with 3000 mm long with adhesives for joining in-line panes.

Profile supplied with adhesive applied on both sides. Colour: transparent

Minimum package

5 Pcs also mixed



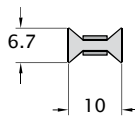
10 mm



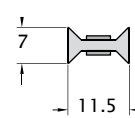
5.5+1.52



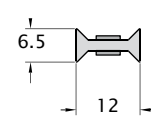
12 mm



QI3929



QI3895



QI3938

Art.	Dimensions	Applications	Q.ty
PH2818	10 x 6.7 mm	For glass thickness 10 mm	1 Pc
PH2784	11.5 x 7 mm	For glass thickness 5 + 5 + 1.52 mm	1 Pc
PH2827	12 x 6.5 mm	For glass thickness 12 mm	1 Pc



CLIPPER CLEAR 90° PROFILES WITH NORTON TAPES

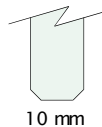
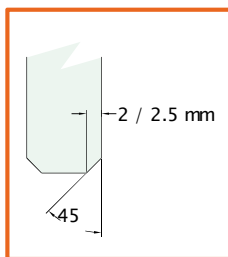
Material: polycarbonate

Features: clipper clear profiles with 3000 mm long with adhesives for joining of glasses at 90°.

Profile supplied with adhesive applied on both sides. Colour: transparent

Minimum package

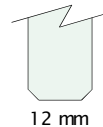
5 Pcs also mixed



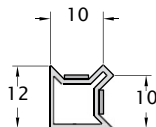
10 mm



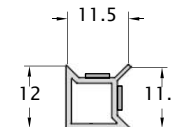
5.5+1.52



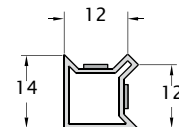
12 mm



QI392:



QI38:3



QI3939

Art.	Dimensions	Applications	Q.ty
PH2819	12 x 12 mm	For glass thickness 10 mm	1 Pc
PH2792	12 x 12 mm	For glass thickness 5 + 5 + 1.52 mm	1 Pc
PH2828	14 x 14 mm	For glass thickness 12 mm	1 Pc



CLIPPER CLEAR 3-WAY PROFILES WITH NORTON TAPES

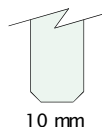
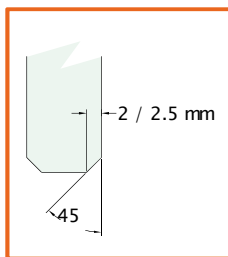
Material: polycarbonate

Features: clipper clear profiles with 3000 mm long with adhesives for joining in-line panes and at 90°. Profile supplied with adhesive applied on both sides. Colour: transparent

Profile supplied with adhesive applied on both sides. Colour: transparent

Minimum package

5 Pcs also mixed



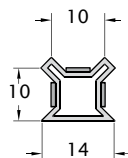
10 mm



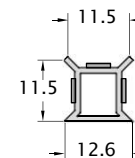
5.5+1.52



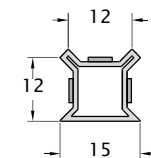
12 mm



QI3937



QI38:1



QI393:

Art.	Dimensions	Applications	Q.ty
PH2826	10 x 14 mm	For glass thickness 10 mm	1 Pc
PH2790	11.5 x 12.6 mm	For glass thickness 5 + 5 + 1.52 mm	1 Pc
PH2829	12 x 15 mm	For glass thickness 12 mm	1 Pc



Saint-Gobain India Private
Limited - Glass Business
Level 7,
Sigapi Aachi Building,
18/3 Rukmani
Lakshmiopathy Road,
Egmore, Chennai - 600 008,
Tamil Nadu.

Ph: +91-44-4593 6000

Fax: +91-44-4593 6008

feedback@sgghardware.com

<http://in.saint-gobain-glass.com>